

EURO-NORM Plastic Pallets





The Right Basis!

Plastic pallets are very stable and have many advantages over wooden pallets. We offer medium-weight, and heavy-duty pallets for various logistical requirements in the field of logistics.



Plastic Pallets - Plus Points at a Glance!

- + sturdy with a long service life
- + repair and maintenance free
- + hygienic and easy to clean
- + no chipping
- + dimensionally stable from - 30 °C to + 40 °C (up to + 90 °C for short periods)
- + sustainable quality

The right material for every application

Depending on the requirements, the bekuplast plastic pallets are available in different material qualities:

basic

Pallets in the "basic" category are made from recycled material. They are less robust than pallets made of the "basic +" material. This is why they are priced lower and therefore more suitable for use as an export pallet.

"basic" pallets are not just disposable pallets. Their quality also allows for more frequent use.

basic+

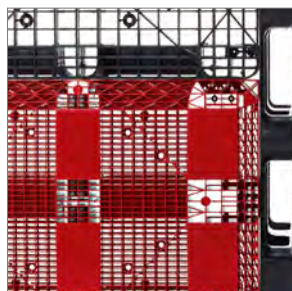
Pallets in the "basic+" category are made from high quality recycled materials. They are stable and durable in terms of their ability to accommodate high loads and are preferably used as a reusable pallet in closed returnable systems and in open pooling.

advanced

Pallets in the "advanced" category are made from HDPE and PP. Virgin material is exclusively used for these pallets. Pallets in the "advanced" category meet the highest requirements in terms of stability and durability, and are guaranteed to be food safe.



ESD material



Custom Colours



Screen Printing



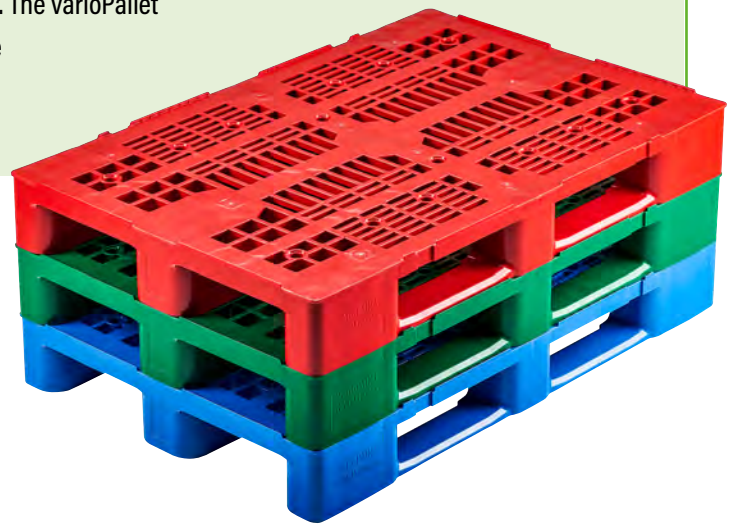
Engraving



The Pallet with Many Talents!

The varioPallet is a true all-rounder. With an open deck or a closed deck, this plastic pallet is optimally suited for both the food and non-food sectors. The pallet is optionally available with a safety edge in various designs or an anti-slip plug.

The pallet does not have any created openings in the intended position, and as such, neither dirt nor water can collect. This makes the varioPallet particularly easy to clean and in addition, it meets the highest hygiene standards. The varioPallet is also available in reclaimed material in the Colours red, blue and green.



varioPallet - Plus Points at a Glance!

- + with an open deck or a closed deck
- + high stability with a low unladen weight
- + easy to clean
- + available in the following designs, either without an outer edge, or alternatively, with an outer edge:
 - + raised outer edge at a height of 7 mm and 22 mm
 - + outward edge at a height of 22 mm for using the entire surface (1,200 x 800 mm)
- + retainer openings for anti-slip plugs on pallets with an open deck
- + runners with double-sided ramp slants for use by industrial trucks
- + optimum banding as a result of recessed pockets in the deck
- + with shrink corners for securely holding packaging films
- + available in different colours
- + RFID-ready
- + high quality, made from:
 - + reclaimed materials ("basic" and "basic+" models)
 - + virgin material ("advanced" models)



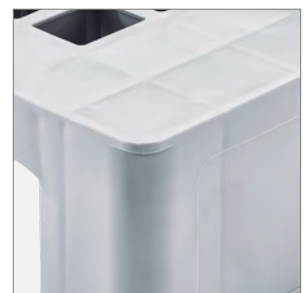
Anti-slip plugs for pallets with an open deck



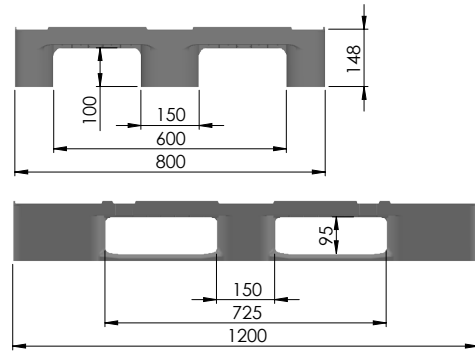
Ramp slants



With different anti-slip edge



Shrink corners



medium

Outer Dimensions (in mm)	Base Support	Anti-slip edge			Anti-slip plugs	RFID	Load Capacity			Weight	Stock Item in Colour(s)	PU	Article No.
		without an anti-slip edge	raised outer edge at a height of 7 mm	raised outer edge at a height of 22 mm			outward edge at a height of 22 mm	dynamic	static				

1208 M basic 3ROR

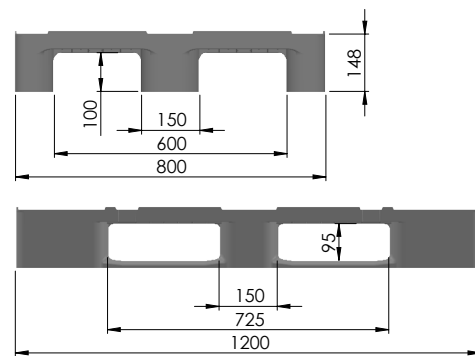
1,200 x 800 x 148	✓	▪	✓	▪	▪	▪	1,250 kg	3,500 kg	-	11.8 kg	■	16	PV1208.3K10-0930E1
-------------------	---	---	---	---	---	---	----------	----------	---	---------	---	----	--------------------

1208 M basic+ 3ROR

1,200 x 800 x 148	✓	▪	✓	▪	▪	▪	1,250 kg	4,000 kg	500 kg	11.8 kg	■ ■ ■ ■	16	PV1208.3K10-XXX001
-------------------	---	---	---	---	---	---	----------	----------	--------	---------	---------	----	--------------------

ESD

1,200 x 800 x 148	✓	▪	✓	▪	▪	▪	1,000 kg	3,500 kg	400 kg	13 kg	■	16	PV1208.3K10-000531 (ESD)
-------------------	---	---	---	---	---	---	----------	----------	--------	-------	---	----	-----------------------------

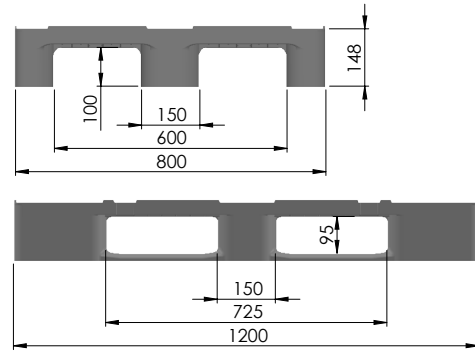


medium

Outer Dimensions (in mm)	Base Support	Anti-slip edge			Anti-slip plugs	RFID	Load Capacity			Weight	Stock Item in Colour(s)	PU	Article No.
		without an anti-slip edge	raised outer edge at a height of 7 mm	raised outer edge at a height of 22 mm			outward edge at a height of 22 mm	dynamic	static				

1208 M advanced 3ROR

1,200 x 800 x 148	✓	▪	✓	▪	▪	▪	1,250 kg	4,000 kg	500 kg	11.8 kg	-	16	PV1208.3K10-401011
-------------------	---	---	---	---	---	---	----------	----------	--------	---------	---	----	--------------------



medium

Outer Dimensions (in mm)	Base Support	Anti-slip edge			Anti-slip plugs	RFID	Load Capacity			Weight	Stock Item in Colour(s)	PU	Article No.
		without an anti-slip edge	raised outer edge at a height of 7 mm	raised outer edge at a height of 22 mm			outward edge at a height of 22 mm	dynamic	static				

1208 M basic 3RCR

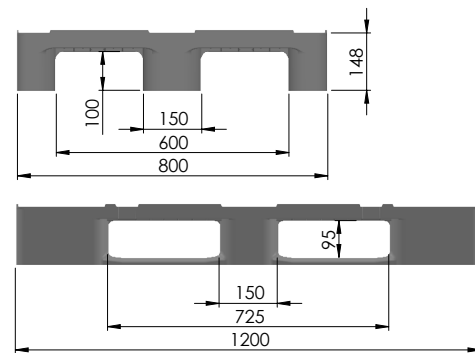
1,200 x 800 x 148	✓	▪	✓	▪	▪	▪	1,250 kg	3,500 kg	-	13 kg	-	16	PV1208/3K10-0930E1
-------------------	---	---	---	---	---	---	----------	----------	---	-------	---	----	--------------------

1208 M basic+ 3RCR

1,200 x 800 x 148	✓	▪	✓	▪	▪	▪	1,250 kg	4,000 kg	500 kg	13 kg	-	16	PV1208/3K10-000001
-------------------	---	---	---	---	---	---	----------	----------	--------	-------	---	----	--------------------

ESD

1,200 x 800 x 148	✓	▪	✓	▪	▪	▪	1,000 kg	3,500 kg	400 kg	14 kg	-	16	PV1208/3K10-000531 (ESD)
-------------------	---	---	---	---	---	---	----------	----------	--------	-------	---	----	--------------------------



medium

Outer Dimensions (in mm)	Base Support	Anti-slip edge			Anti-slip plugs	RFID	Load Capacity			Weight	Stock Item in Colour(s)	PU	Article No.
		without an anti-slip edge	raised outer edge at a height of 7 mm	raised outer edge at a height of 22 mm			outward edge at a height of 22 mm	dynamic	static				

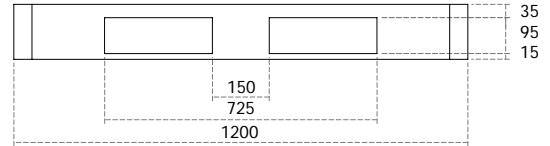
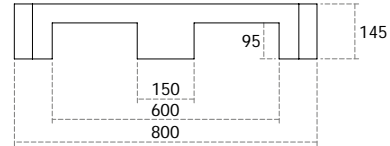
1208 M advanced 3RCR

1,200 x 800 x 148	✓	▪	✓	▪	▪	▪	1,250 kg	4,000 kg	500 kg	13 kg	■	16	PV1208/3K10-401011
-------------------	---	---	---	---	---	---	----------	----------	--------	-------	---	----	--------------------

▪ = Variants are available, but are not continuously in stock



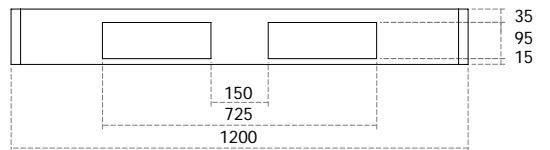
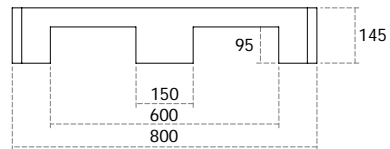
1208 M



medium

Outer Dimensions (in mm)	Description	Base Support			Anti-slip edge			Load Capacity			Weight	Stock Item in Colour/s	PU	Article no.	
		3 runners	5 runners	6 runners	without an anti-slip edge	with an anti-slip edge, 6 mm height	with an anti-slip edge, special height in mm	dynamic	static	high rack					
1,200 x 800 x 145	1208 M basic 3ROR	✓				■	✓		1,250 kg	3,500 kg	400 kg	11 kg	-	16	S 7340500093
1,200 x 800 x 145	1208 M basic+ 3ROR	✓				■	✓		1,250 kg	4,000 kg	500 kg	11 kg	-	16	S 7340000093

1208 H

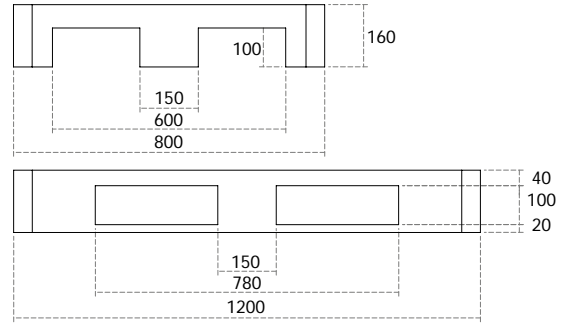


heavy

Outer Dimensions (in mm)	Description	Base Support			Anti-slip edge			Load Capacity			Weight	Stock Item in Colour(s)	PU	Article No.	
		3 runners	5 runners	6 runners	without an anti-slip edge	with an anti-slip edge, 6 mm height	with an anti-slip edge, special height in mm	dynamic	static	high rack					
1,200 x 800 x 145	1208 H basic 3ROR	✓				■	✓		1,500 kg	4,000 kg	600 kg	17.5 kg	-	16	S 7341500093
1,200 x 800 x 145	1208 H basic+ 3ROR	✓				■	✓		1,500 kg	5,000 kg	800 kg	17.5 kg	■	16	S 7341000093



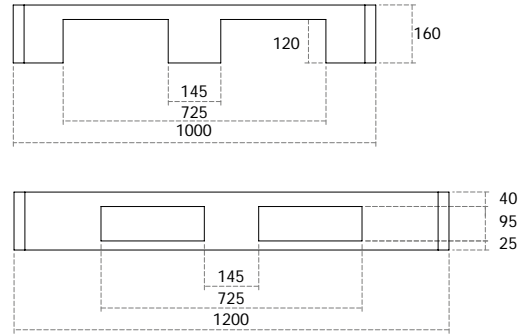
Euro H1



heavy

Outer Dimensions (in mm)	Description	Base Support			Anti-slip edge			Load Capacity			Weight	Stock Item in Colour(s)	PU	Article No.
		3 runners	5 runners	6 runners	without an anti-slip edge	with an anti-slip edge, 7 mm height	with an anti-slip edge, special height in mm	dynamic	static	high rack				
1,200 x 800 x 160	Euro H1	✓				✓		1,250 kg	5,000 kg	1,000 kg	18 kg	■	15	H-P 0116/1

1210 H



heavy

Outer Dimensions (in mm)	Description	Base Support			Anti-slip edge			Load Capacity			Weight	Stock Item in Colour(s)	PU	Article No.
		3 runners	5 runners	6 runners	without an anti-slip edge	with an anti-slip edge, 6 mm height	with an anti-slip edge, special height in mm	dynamic	static	high rack				
1,200 x 1,000 x 160	1210 H basic 3ROR	✓	▪	▪	▪	✓	22	1,500 kg	4,000 kg	800 kg	19 kg	■	15	S 7342502093
1,200 x 1,000 x 160	1210 H basic+ 3ROR	✓	▪	▪	▪	✓	22	1,500 kg	4,500 kg	1,000 kg	19 kg	■	15	S 7342002093
1,200 x 1,000 x 160	1210 H basic 6ROR	▪	▪	✓	▪	✓	22	1,000 kg	4,000 kg	800 kg	22 kg	-	15	S 7342500093

▪ = Variants are available, but are not continuously in stock



bekuplast GmbH · Industriestraße 1 · 49824 Ringe · Germany
+49 5944 9333-0 · info@bekuplast.com · www.bekuplast.com